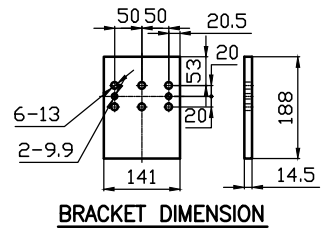
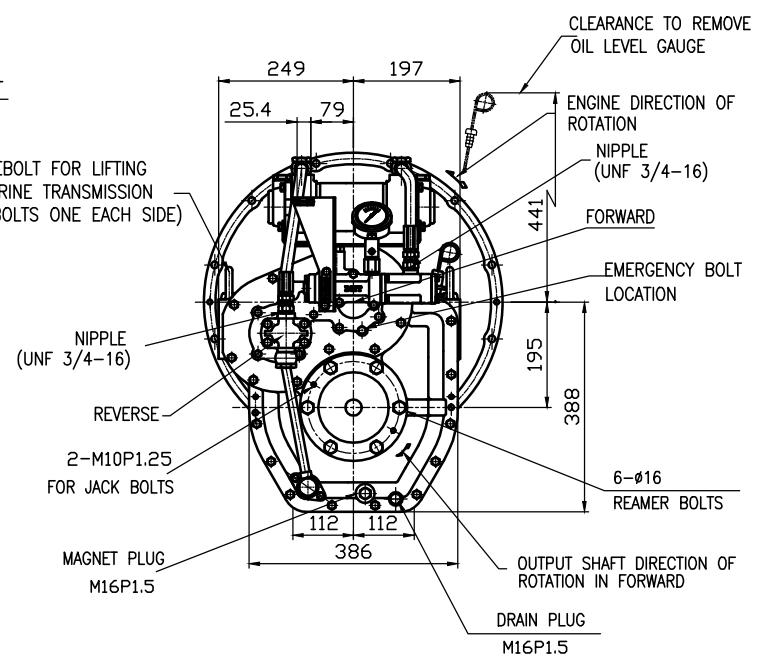
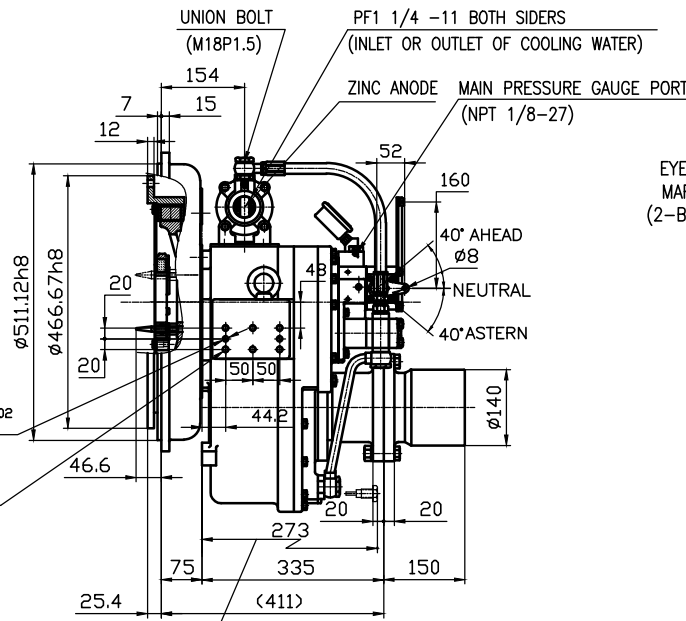
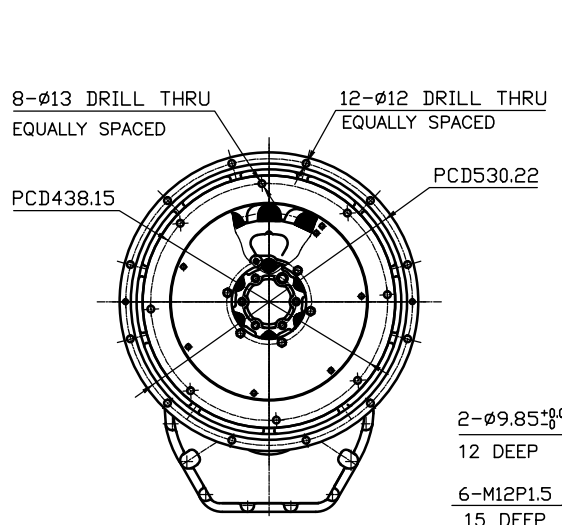
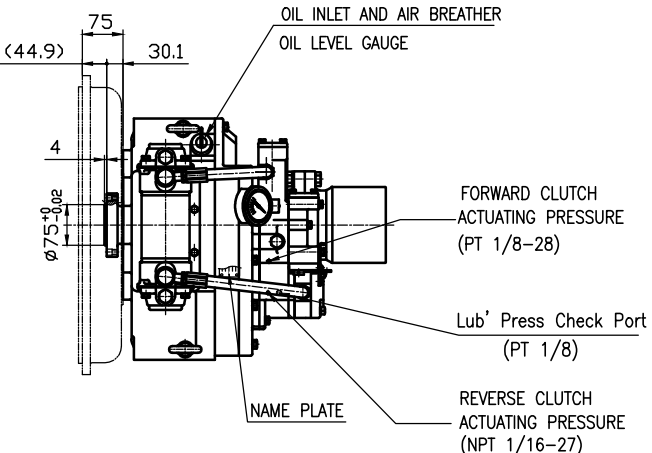
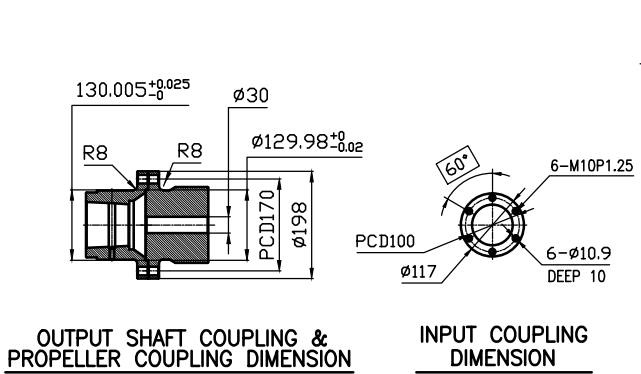


개정번호 REV.No	부 호 SYM.	내 DESCRIPTION	증 위치 POSITION	제출사번호 ADOPTION SHEET NO.	일 자 DATE	수 정 REV'D	검 도 CHECKED	승 인 APP'D

DMT 110A MARINE TRANSMISSION SPECIFICATION			
GEAR RATIO	1.77	2.09	2.42 2.82 3.19 3.81
TOTAL WEIGHT	APPROX. 212 kg(DRY)		
OIL CAPACITY	APPROX. 4 L		
OIL VISCOSITY	SAE # 30		
OIL PRESSURE	1.96 ~ 2.54 MPa	CLUTCH OIL	
DIRECTION OF ROTATION	INPUT	C.C.W VIEWED FROM THE STERN	
IN FORWARD	OUTPUT	C.W VIEWED FROM THE STERN	
OIL CHANGE INTERVAL	THE FIRST 100HOURS OF INITIAL OPERATION AND EVERY 1000HOURS THEREAFTER		
SHIFTING LIMIT	UNDER 50% OF THE RATED ENGINE SPEED		
OIL COOLER	WATER FLOW 40 ~ 60L/min		TEMPERATURE OF COOLING WATER
			MAX 32°C
OPERATING TORQUE OF SHIFTING LEVER	UNDER 2.94Nm		



REMARK (HOT)

- HOUSING: SAE#1
- DRIVING RING: SAE 14"
- COUPLING TYPE : DUAL STAGE
- APPLICATION ENGINE : STANDARD

공통규격 TOLERANCE ON		부 호 PART NO.	부 호 PART NAME	개 수 QTY	재 질 MATERIAL	규 SIZE	비 고 REMARKS
분수 FRACTIONS	소수 DECIMALS	각도 ANGLES	MATERIAL DATE 2017.05.24 SCALE N/S APPROVED BY JK.Kim TH.Cha TW.Kim CHECKED BY DRAWN DESIGNED				
±	±	±	TYPE DMT110A NAME MARINE TRANSMISSION 도 DWG. NO. 11000GA~E-114DCH 크 기 SIZE A8 코드 번호 CODE ID. NO.				
±	±	±	1 호 4 미하 ±0.3 ±0.1 ±0.05 4 16 ±0.5 ±0.2 ±0.07 16 63 ±0.7 ±0.3 ±0.1 63 250 ±1.2 ±0.5 ±0.2 250 1000 ±2.0 ±0.8 ±0.3				