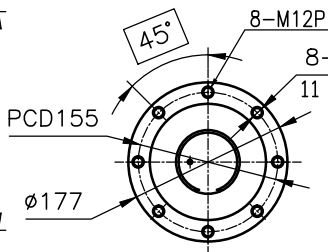
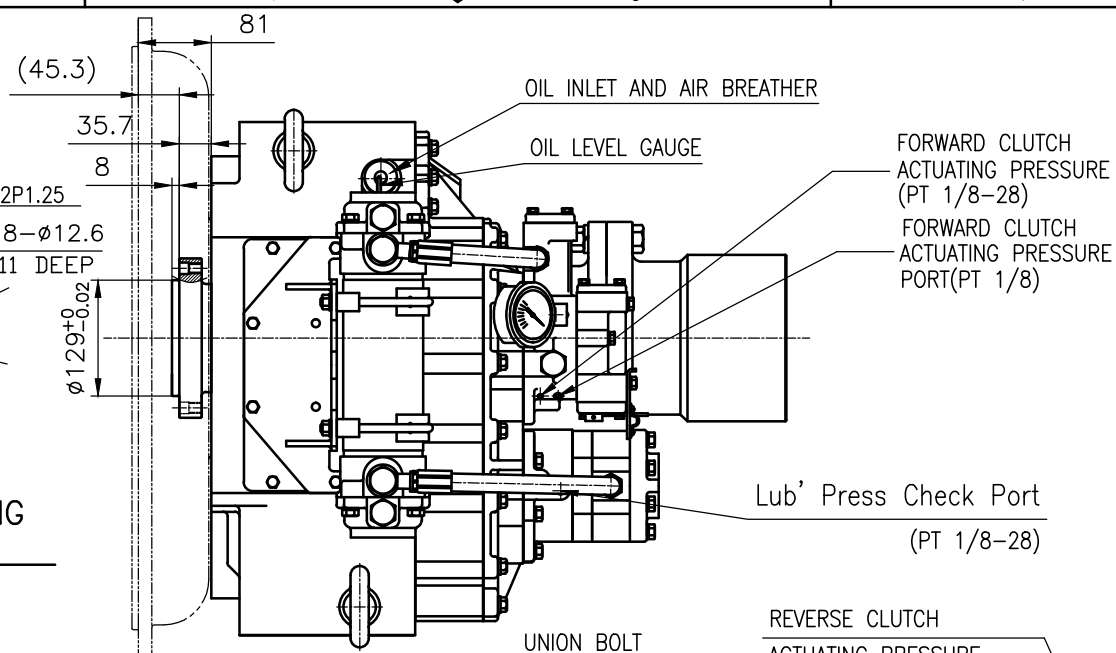


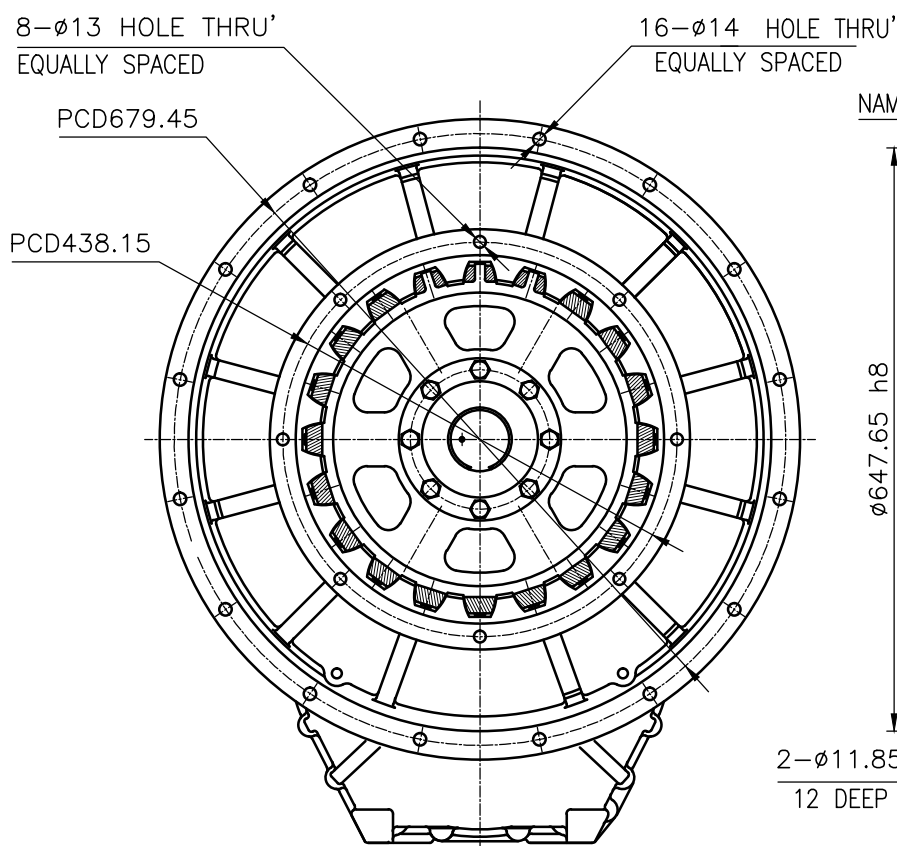
OUTPUT SHAFT COUPLING & PROPELLER COUPLING DIMENSION



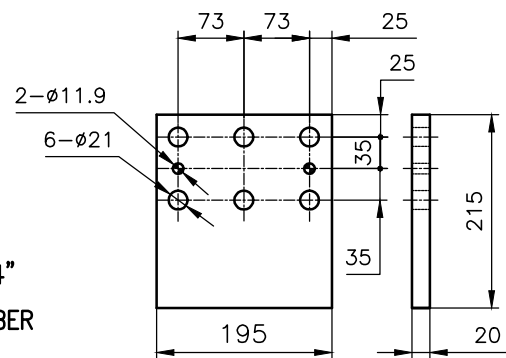
INPUT COUPLING DIMENSION



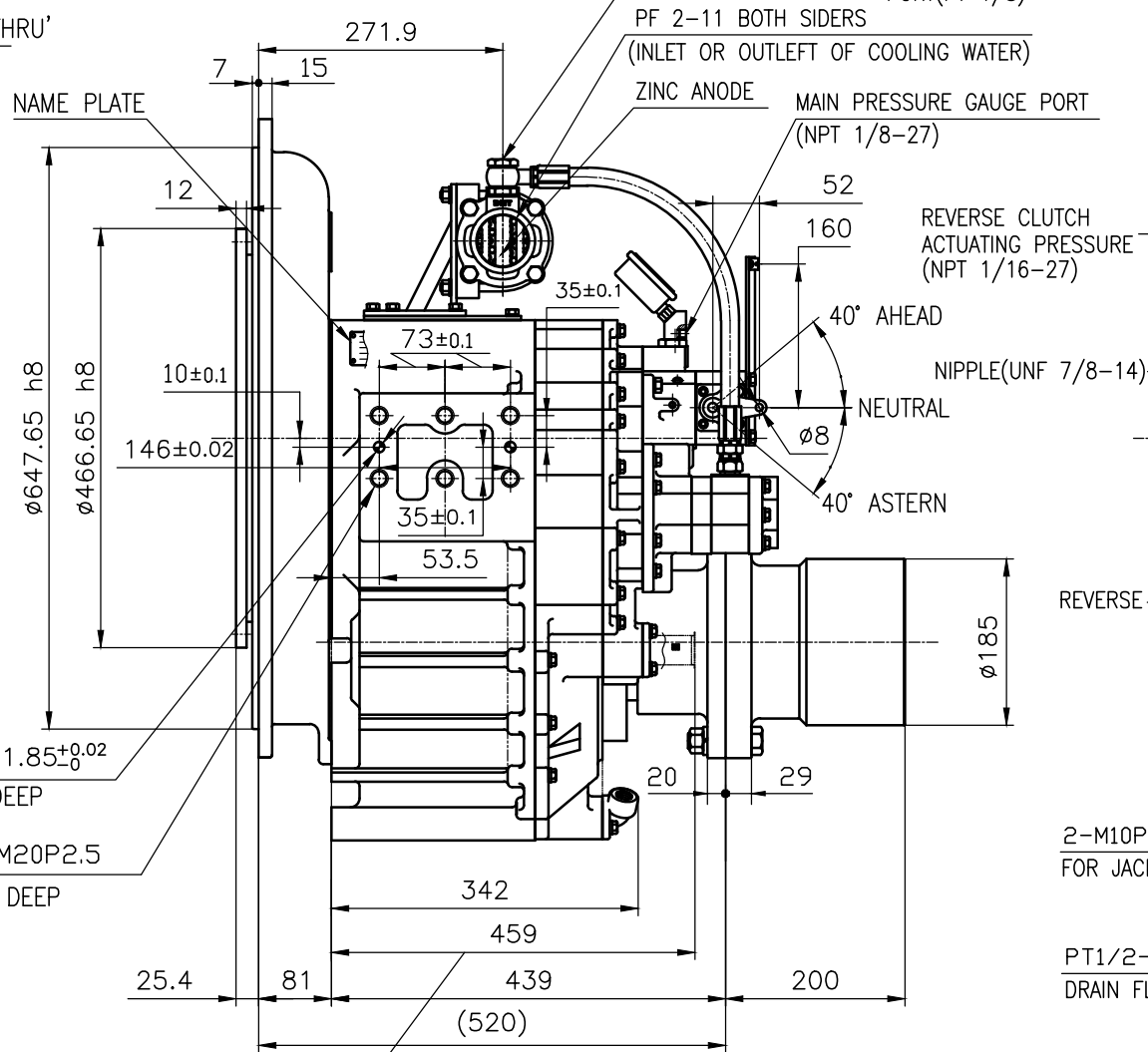
DMT240H MARINE TRANSMISSION SPECIFICATION			
GEAR RATIO	1.50 , 1.97 , 2.44 , 2.93 , 3.40		
TOTAL WEIGHT	APPROX. 400 Kg(DRY)		
OIL CAPACITY	APPROX. 8L		
OIL VISCOSITY	SAE # 30		
OIL PRESSURE	1.96 ~ 2.54 MPa	CLUTCH OIL	
DIRECTION OF ROTATION	INPUT	C.C.W VIEWED FROM THE STERN	
	OUTPUT	C.W VIEWED FROM THE STERN	
OIL CHANGE INTERVAL	THE FIRST 100HOURS OF INITIAL OPERATION AND EVERY 1000HOURS THEREAFTER		
SHIFTING LIMIT	UNDER 50% OF THE RATED ENGINE SPEED		
OIL COOLER	WATER FLOW	40 ~ 60 L/m	
	TEMPERATURE OF COOLING WATER	MAX 32°C	
OPERATING TORQUE OF SHIFTING LEVER	UNDER 2.94Nm		



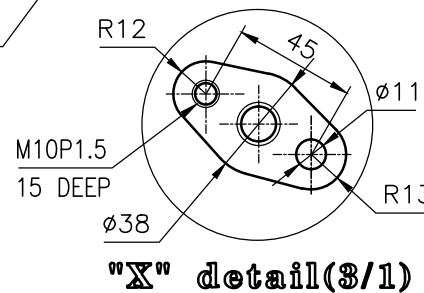
- REMARK
- 1.HOUSING: SAE#0
  - 2.DRIVING RING: SAE 14"
  - 3.COULING TYPE : RUBBER



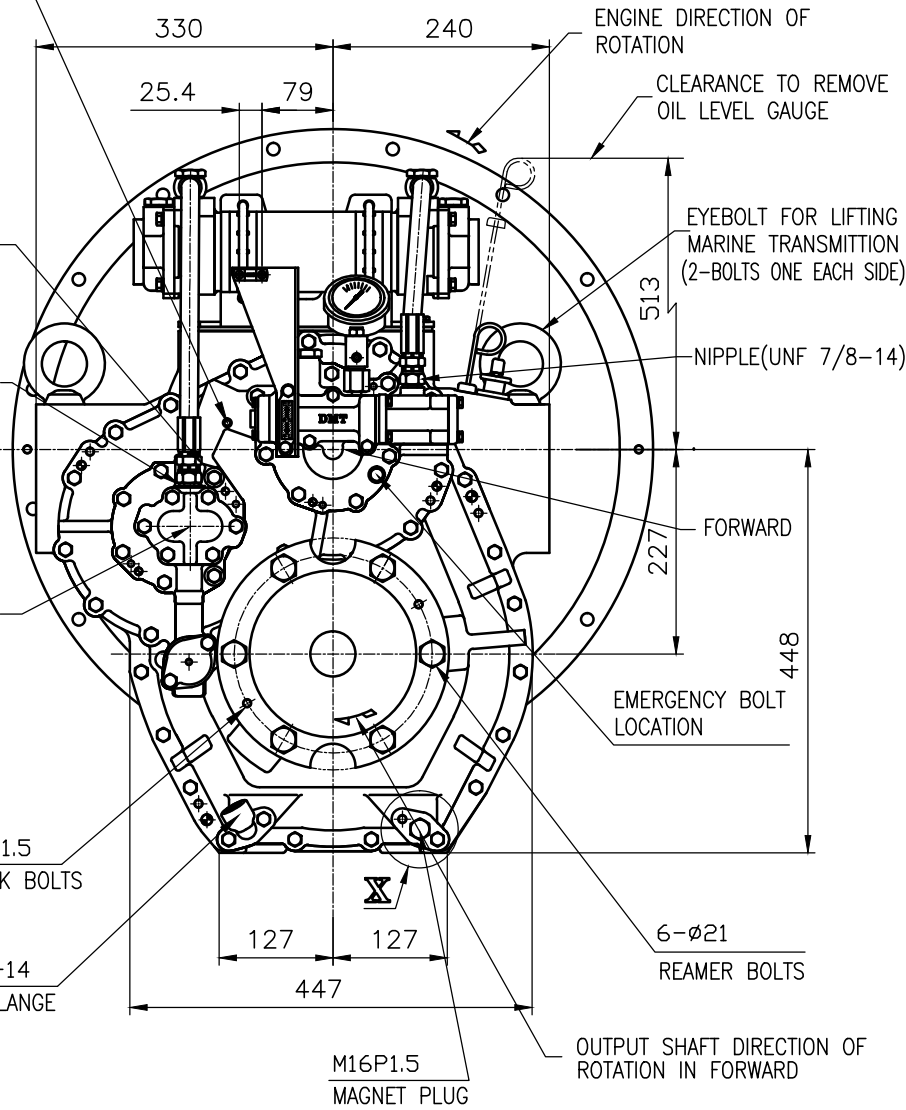
BRACKET DIMENSION



CLEARANCE TO REMOVE OIL SUCTION STRAINER



"X" detail(3/1)



공통공차 TOLERANCE ON				번호 NO.	품 PART NO.	변 PART NAME	개 QTY	재 MATERIAL	규 SIZE	비 REMARKS																																			
분 FRACTIONS	수 DECIMALS	각 ANGLS	도 DEGREE																																										
±	±	±	±																																										
<table border="1"> <thead> <tr> <th>구 구</th> <th>분 분</th> <th>조 조</th> <th>급 급</th> <th>공 공</th> <th>차 차</th> </tr> </thead> <tbody> <tr> <td>1</td> <td>2</td> <td>0.05</td> <td>0.1</td> <td>0.15</td> <td>0.2</td> </tr> <tr> <td>4</td> <td>16</td> <td>± 0.5</td> <td>± 0.2</td> <td>± 0.07</td> <td></td> </tr> <tr> <td>16</td> <td>63</td> <td>± 0.7</td> <td>± 0.3</td> <td>± 0.1</td> <td></td> </tr> <tr> <td>63</td> <td>250</td> <td>± 1.2</td> <td>± 0.5</td> <td>± 0.2</td> <td></td> </tr> <tr> <td>250</td> <td>1000</td> <td>± 2.0</td> <td>± 0.8</td> <td>± 0.3</td> <td></td> </tr> </tbody> </table>				구 구	분 분	조 조	급 급	공 공	차 차	1	2	0.05	0.1	0.15	0.2	4	16	± 0.5	± 0.2	± 0.07		16	63	± 0.7	± 0.3	± 0.1		63	250	± 1.2	± 0.5	± 0.2		250	1000	± 2.0	± 0.8	± 0.3		2013.02.12 SCALE 1/1 2013.02.12 SCALE 1/1		DMT240H MARINE TRANSMISSION		24000GA~E-014RC 000	
구 구	분 분	조 조	급 급	공 공	차 차																																								
1	2	0.05	0.1	0.15	0.2																																								
4	16	± 0.5	± 0.2	± 0.07																																									
16	63	± 0.7	± 0.3	± 0.1																																									
63	250	± 1.2	± 0.5	± 0.2																																									
250	1000	± 2.0	± 0.8	± 0.3																																									
JK.Kim KS.Han KC.Yoon				D-I INDUSTRIAL		A 3		CODE ID. NO.																																					