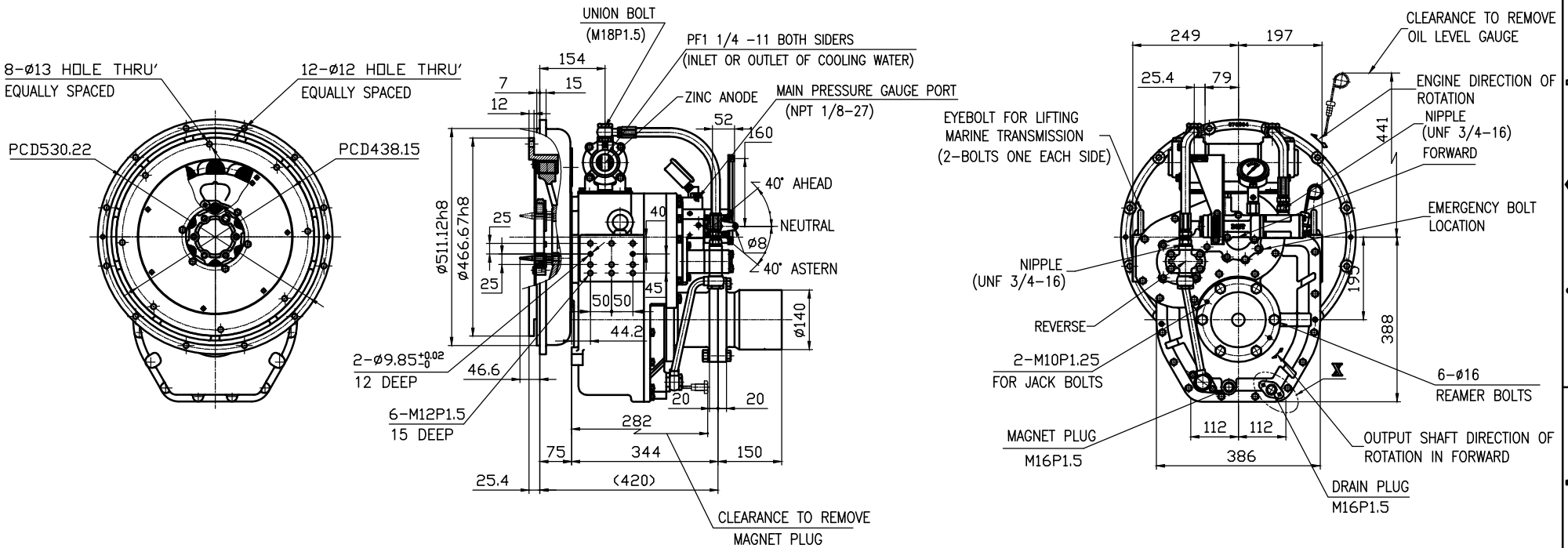
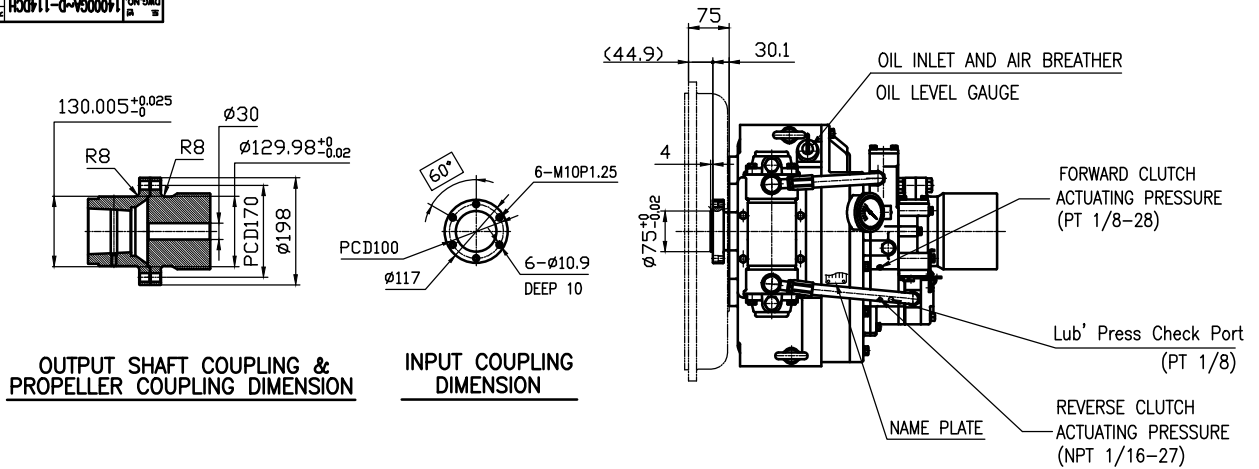
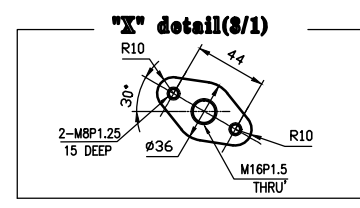
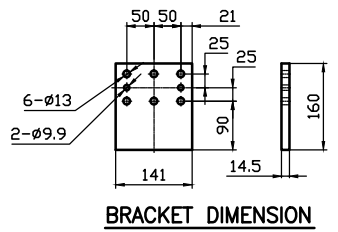


개정번호	부호	내	용	위치	제용시번호	입자	수정	검도	승인
REV.No	SYM.	DESCRIPTION		POSITION	ADOPTION SHEET NO.	DATE	REV'D	CHECKED	APP'D

DMT 140H MARINE TRANSMISSION SPECIFICATION	
GEAR RATIO	1.97, 2.57, 3.03, 3.46
TOTAL WEIGHT	APPROX. 250 kg(DRY)
OIL CAPACITY	APPROX. 4 L
OIL VISCOSITY	SAE # 30
OIL PRESSURE	1.96 ~ 2.54 MPa CLUTCH OIL
DIRECTION OF ROTATION	INPUT C.C.W VIEWED FROM THE STERN
IN FORWARD	OUTPUT C.W VIEWED FROM THE STERN
OIL CHANGE INTERVAL	THE FIRST 100HOURS OF INITIAL OPERATION AND EVERY 1000HOURS THEREAFTER
SHIFTING LIMIT	UNDER 50% OF THE RATED ENGINE SPEED
OIL COOLER	WATER FLOW 40 ~ 60L/min
	TEMPERATURE OF COOLING WATER MAX 32°C
OPERATING TORQUE OF SHIFTING LEVER	UNDER 2.94Nm



REMARK (HOT)  
1.HOUSING: SAE#1  
2.DRIVING RING: SAE 14"  
3.COUPLING TYPE : DUAL STAGE  
4.APPLICATION ENGINE : STANDARD



공통공차	TOLERANCE ON	분수	소수	각도	분수	소수	각도	공차	공차	공차
FRACTIONS	DECIMALS	ANGLES	FRACTIONS	DECIMALS	ANGLES	FRACTIONS	DECIMALS	ANGLES	FRACTIONS	DECIMALS
±	±	±	±	±	±	±	±	±	±	±

번호	NO.	부호	PART NO.	명	PART NAME	개수	재질	규격	비고	REMARKS

DATE	SCALE	TYPE	NAME	NO.	REV.
2017.05.24	N/S	DMT140H	MARINE TRANSMISSION	14000GA~D-114DCH	000

APPROVED BY: JK.Kim, TH.Cha, TW.Kim  
CHECKED BY: JK.Kim, TH.Cha, TW.Kim  
DRAWN BY: JK.Kim, TH.Cha, TW.Kim  
DESIGNED BY: JK.Kim, TH.Cha, TW.Kim

크기: A3, 코드번호: CODE ID. NO.