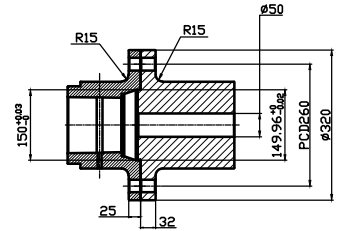


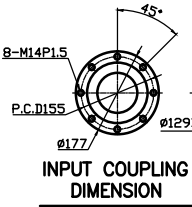
000  
(REV.)

43000GA~E-018CFR  
DWG. NO.

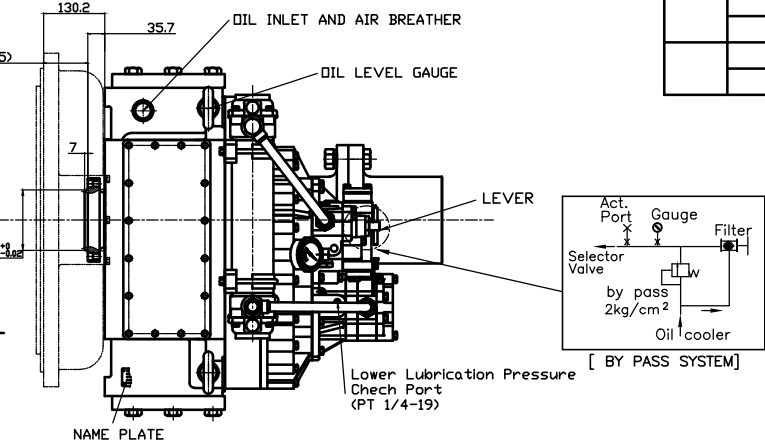
개정번호 REV.No	부호 SYM.	내용 DESCRIPTION	위치 POSITION	최종수용 ADOPTION SHEET NO.	일자 DATE	수정 REV'D	승인 APP'D



OUTPUT SHAFT COUPLING & PROPPELLER COUPLING DIMENSION

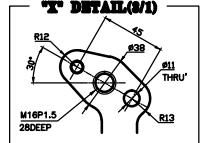
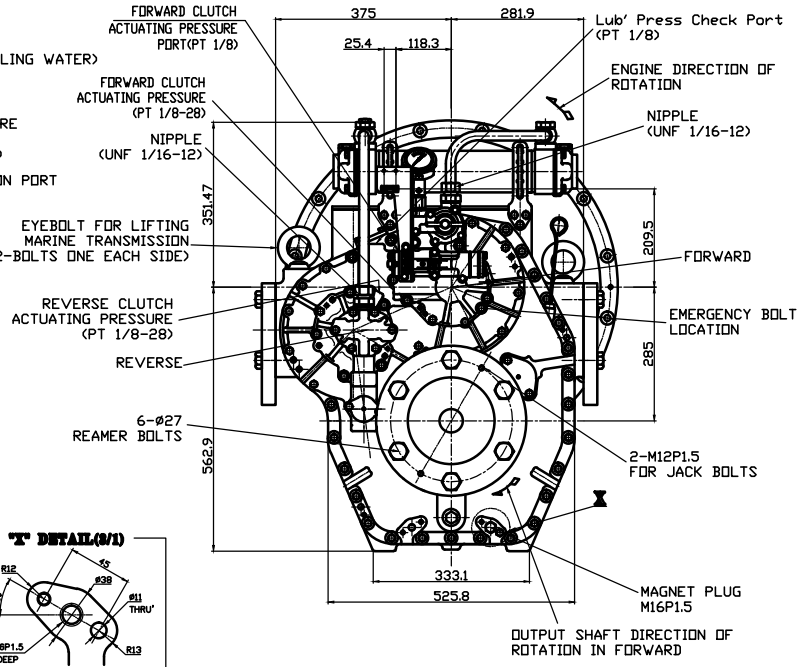
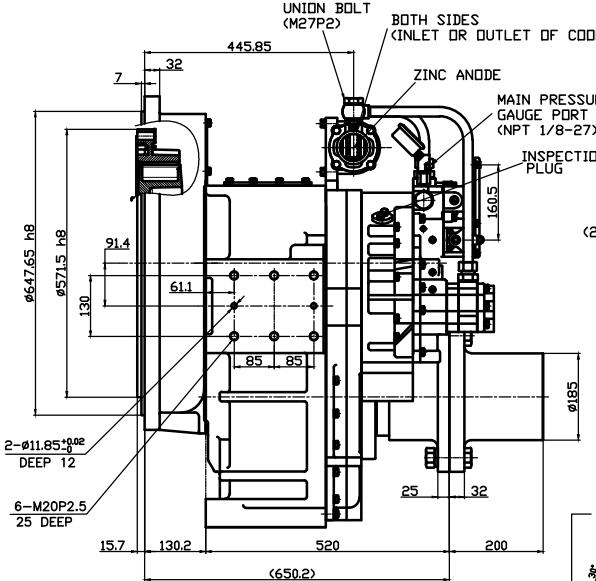
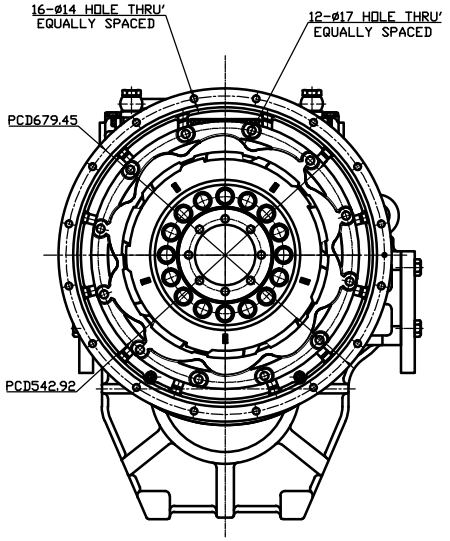


INPUT COUPLING DIMENSION

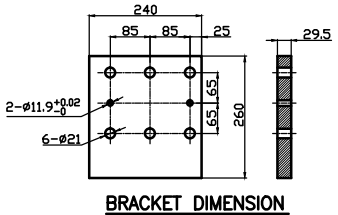


DMT430H MARINE TRANSMISSION SPECIFICATION

GEAR RATIO	2.06, 2.44, 2.93, 3.23, 3.4
TOTAL WEIGHT	APPROX. 694Kg(DRY)
OIL CAPACITY	APPROX. 18L
OIL VISCOSITY	SAE # 30
OIL PRESSURE	1.96 ~ 2.54 MPa CLUTCH OIL
DIRECTION OF ROTATION IN FORWARD	INPUT C.C.W VIEWED FROM THE STERN OUTPUT C.W VIEWED FROM THE STERN
OIL CHANGE INTERVAL	THE FIRST 100HOURS OF INITIAL OPERATION AND EVERY 1000HOURS THEREAFTER
SHIFTING LIMIT	UNDER 50% OF THE RATED ENGINE SPEED
OIL COOLER	WATER FLOW 90 ~ 120L/m TEMPERATURE OF COOLING WATER MAX 32°C
OPERATING TORQUE OF SHIFTING LEVER	UNDER 2.94Nm



REMARK  
 1. HOUSING : SAE# 0  
 2. DRIVING RING : SAE 18"  
 3. COUPLING TYPE  
 - CENTA Flex Coupling : 77420801



BRACKET DIMENSION

제 품 HS Code	소 제 HS Code	중 량 Weight	KG
----------------	----------------	---------------	----

공용공차	TOLERANCE ON FRACTIONS	소수	소수	각도	분수	DECIMALS	분수	각도	분수	분수	분수	분수	분수	분수	분수	분수	분수	분수	분수	분수	분수	분수	분수
±	±	±	±	±	±	±	±	±	±	±	±	±	±	±	±	±	±	±	±	±	±	±	±
±	±	±	±	±	±	±	±	±	±	±	±	±	±	±	±	±	±	±	±	±	±	±	±

번호	PART NO.	명	PART NAME	수량	QTY.	재료	MATERIAL	규격	SIZE	비고	REMARKS

DATE	2016.11.08	SCALE	1/1
APPROVED BY		CHECKED BY	
		DRAWN	
		DESIGNED	

TYPE	DMT430H	ORIGINAL DWG. NO.	
NAME	MARINE TRANSMISSION	도 번호	43000GA~E-018CFR
SIZE	A0	코드 번호	

昌浩

D-I INDUSTRIAL